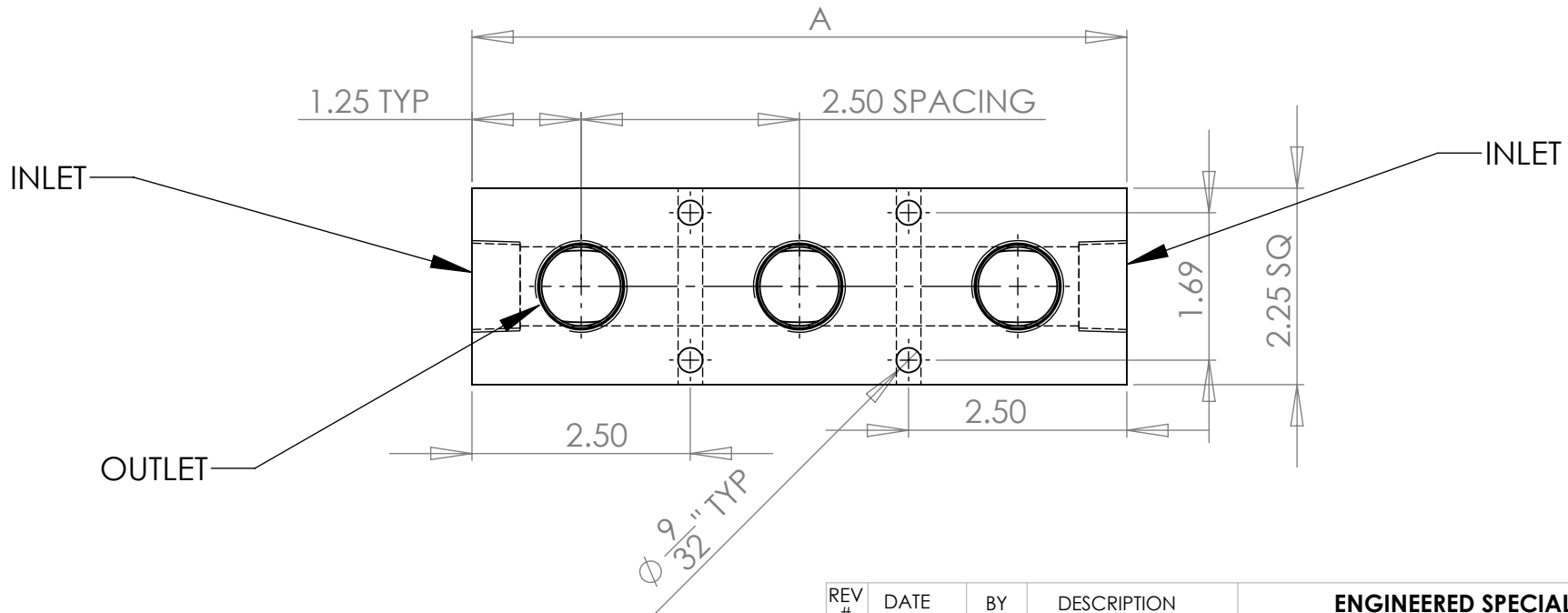
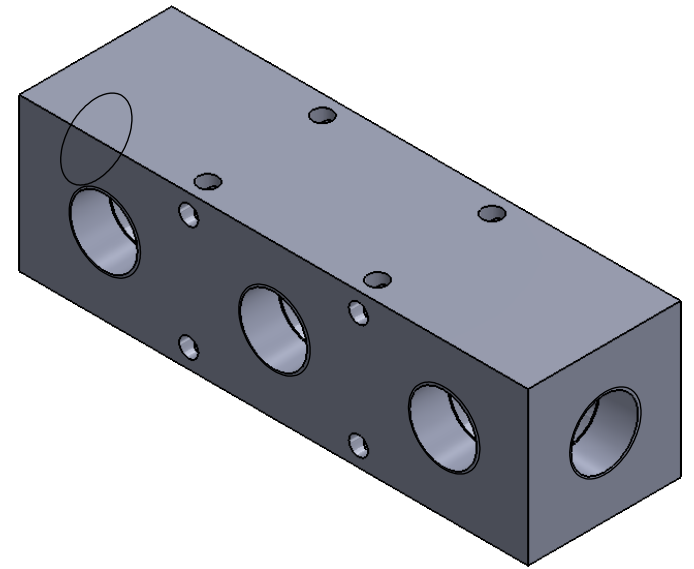


PART #	# PORTS	INLET	OUTLET	A
H-75-50-3	3	3/4 NPT	1/2 NPT	7.50
H-75-50-4	4	3/4 NPT	1/2 NPT	10.00
H-75-50-5	5	3/4 NPT	1/2 NPT	12.50
H-75-75-3	3	3/4 NPT	3/4 NPT	7.50
H-75-75-4	4	3/4 NPT	3/4 NPT	10.00
H-75-75-5	5	3/4 NPT	3/4 NPT	12.50



REV #	DATE	BY	DESCRIPTION	ENGINEERED SPECIALTIES, LLC	
				TOLERANCES UNLESS OTHERWISE SPECIFIED FRACTION OF WHOLE ±.030 TWO DIGIT DECIMAL ±.010 THREE DIGIT DECIMAL ±.003 FOUR DIGIT DECIMAL ±.0005 ANGLE ±1°	DWG. NAME 3/4" MANIFOLD
					DWG. NO. H-75
					MATERIAL 6061 ALUM
					FINAL FINISH STRAIGHT SAND
#	XX-XX-XX	XXX	X		DRAWN BY CAR
					DATE 7-15-2014