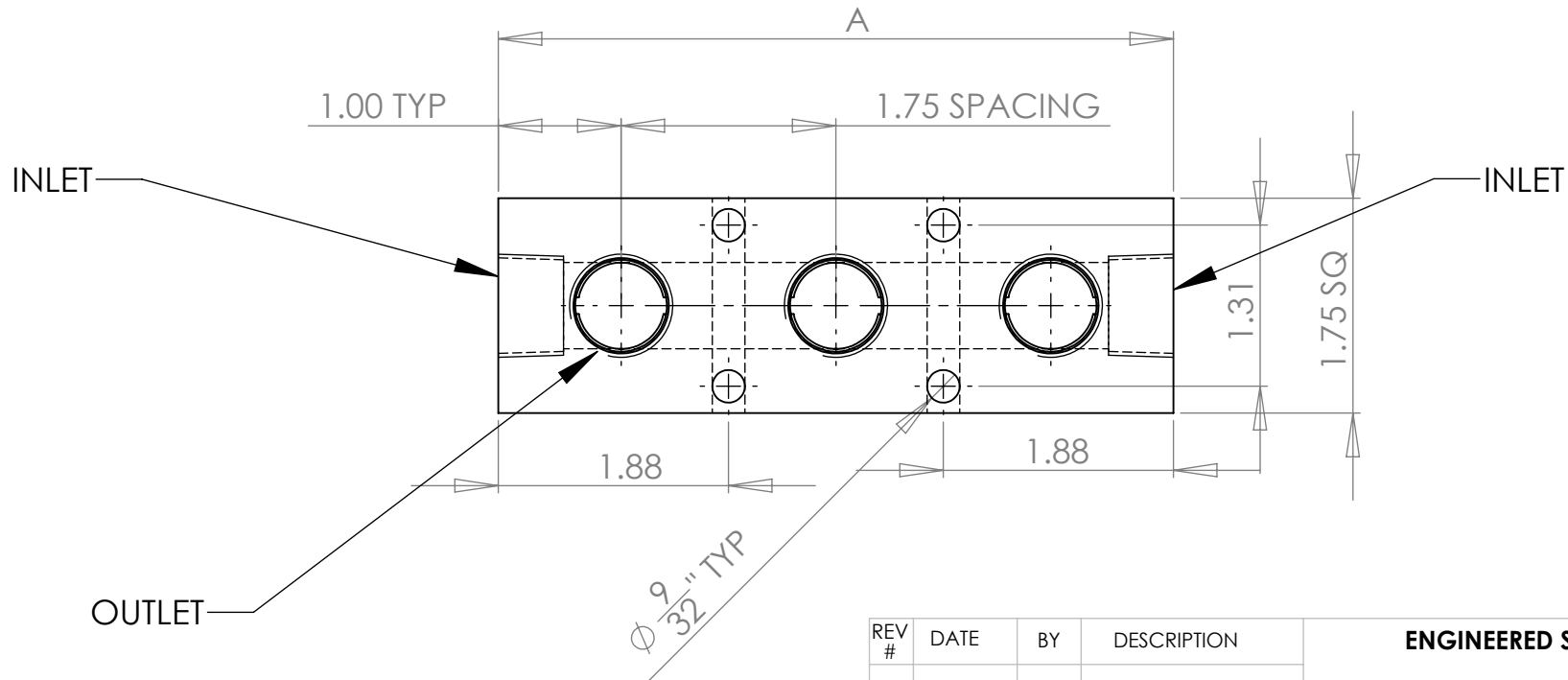
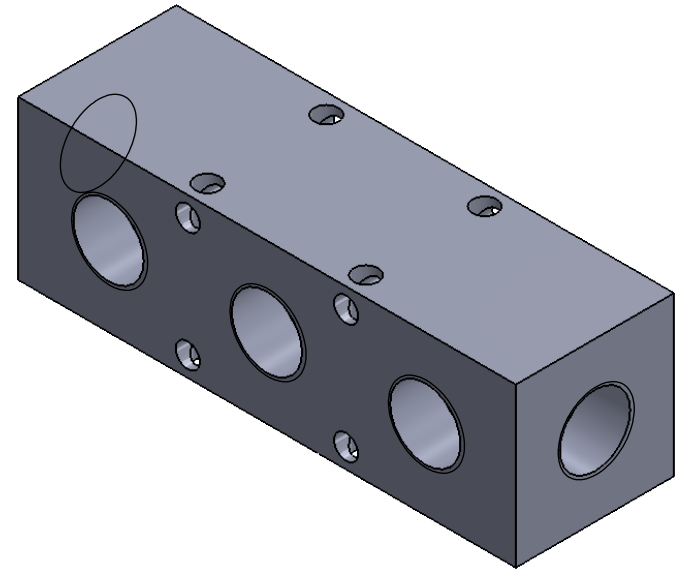


PART#	# Ports	INLET	OUTLET	A
H-50-25-4	4	1/2 NPT	1/4 NPT	7.25
H-50-25-5	5	1/2 NPT	1/4 NPT	9.00
H-50-50-4	4	1/2 NPT	1/2 NPT	7.25
H-50-50-5	5	1/2 NPT	1/2 NPT	9.00



REV #	DATE	BY	DESCRIPTION	ENGINEERED SPECIALTIES, LLC	
				<b>TOLERANCES UNLESS OTHERWISE SPECIFIED</b> FRACTION OF WHOLE ±.030 TWO DIGIT DECIMAL ±.010 THREE DIGIT DECIMAL ±.003 FOUR DIGIT DECIMAL ±.0005 ANGLE ±1°	DWG. NAME 1/2" MANIFOLD
					DWG. NO. H-50
					MATERIAL 6061 ALUM
					FINAL FINISH STRAIGHT SAND
					DRAWN BY CAR
					DATE 7-15-2014
#	XX-XX-XX	XXX	X		