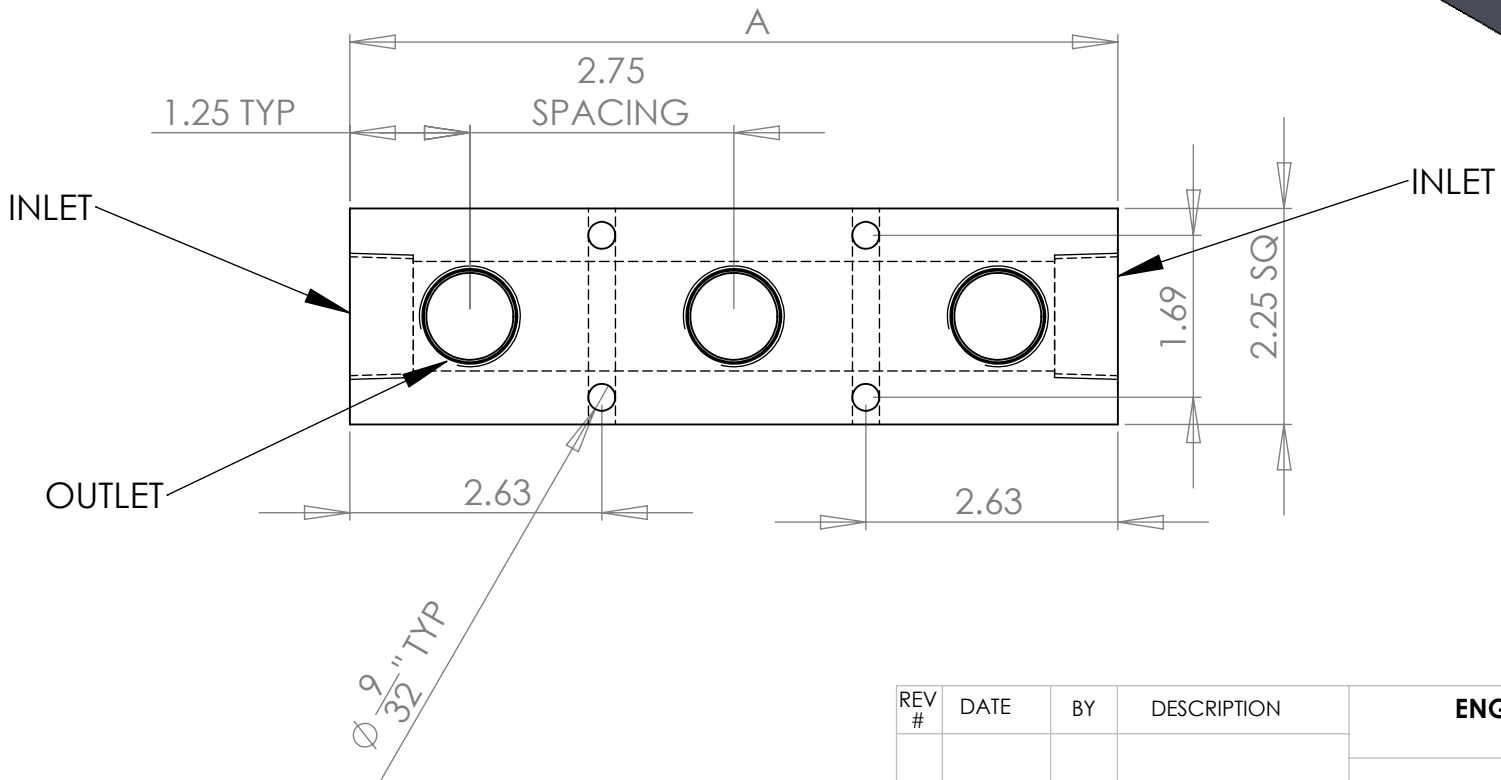
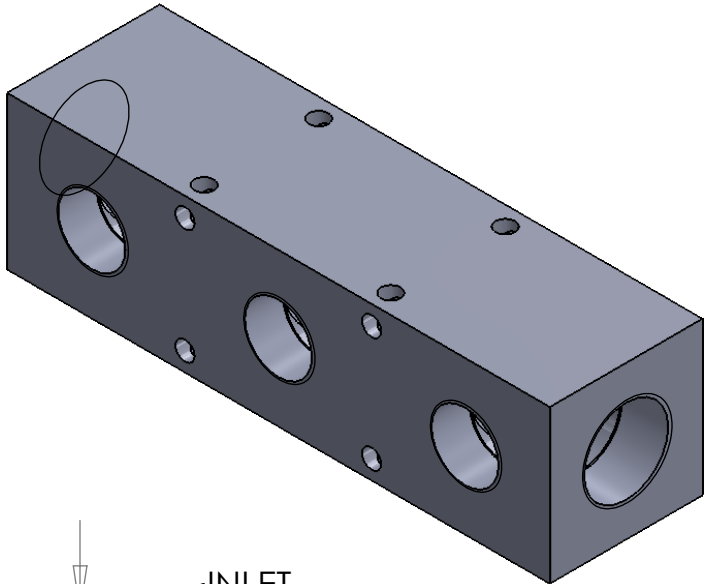


PART#	# 1/2 Ports	INLET	OUTLET	A
H-100-75-3	3	1" NPT	3/4 NPT	8.00
H-100-75-4	4	1" NPT	3/4 NPT	10.75
H-100-75-5	5	1" NPT	3/4 NPT	13.50



REV #	DATE	BY	DESCRIPTION	ENGINEERED SPECIALTIES, LLC	
				TOLERANCES UNLESS OTHERWISE SPECIFIED FRACTION OF WHOLE ±.030 TWO DIGIT DECIMAL ±.010 THREE DIGIT DECIMAL ±.003 FOUR DIGIT DECIMAL ±.0005 ANGLE ±1°	DWG. NAME 1" MANIFOLD
					DWG. NO. H-100
					MATERIAL 6061 ALUM
					FINAL FINISH STRAIGHT SAND
#	XX-XX-XX	XXX	X		DRAWN BY CAR
					DATE 7-15-2014